

產品名稱: Product Name	TACT SWITCH	產品型號: Part NO.	TS02.073R.S3B61S	文件版本: Edition	A0
-----------------------	-------------	-------------------	------------------	------------------	----

**6.Precautions for use 注意事項:**

6.1 為防止本產品的性能劣化和耐焊性等性能受到影響，請保管在以下的條件和環境下：

In order to protect the switch performance and the soldering conditions, it should keep the switch under the following conditions:

6.1.1. 溫度 -20℃ 以上，+80℃ 以下，濕度85% 以下的環境。

Temperature of -20℃ to +80℃, with humidity lower than 85%RH;

6.1.2. 避免保存在含有腐蝕性氣體等的空氣中。

Avoid storing in the environment containing corrosive gas;

6.1.3. 避免保存在日光能直射的場所。

Avoid keeping it in the location with direct sunlight.

6.1.4. 在不施加負重外力的包裝狀態下進行保管。

Store using the standard packing without exerting force.

6.2 產品未打開包裝的保存標準期限為6個月。打開包裝後有剩餘品時，應將剩餘部分以膠袋包裝好以同外界隔離，請進行合適的防濕，防腐蝕氣體等處理後進行保管，保存期限為3個月。

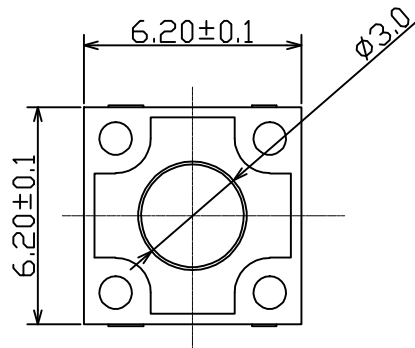
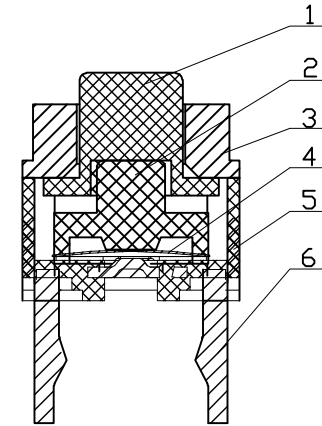
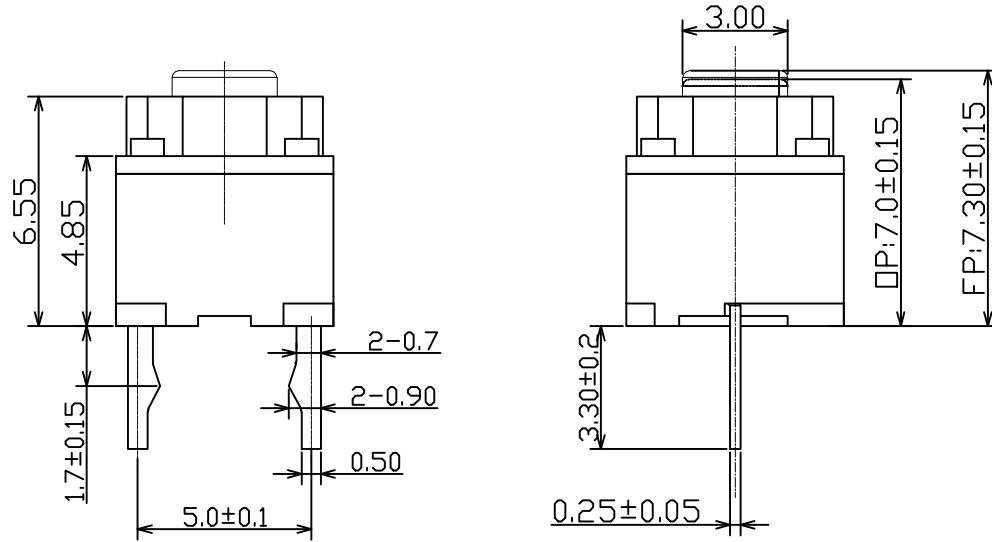
The standard storage period is 6 months before opening the package. Preferably to be used as soon as possible. After opening the package, you should put the remaining switches in a plastic bag to prevent from damp and corrosive gas with maximum up to 3 months.

若沒有特殊要求，試驗標準中的“外觀、結構無損傷，功能無異常”是指要求滿足以下條件

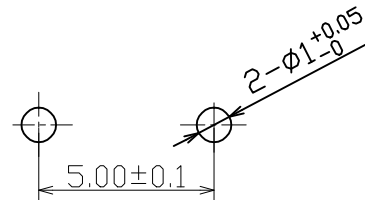
Unless otherwise specified, The meaning of Appearance, construction and function shall be satisfied the following conditions in test standard:

接觸電阻 Contact Resistance	1Ω Max.
絕緣電阻 Insulation Resistance	50MΩ Min.
耐壓測試 Dielectric Withstand Voltage	100V AC for 1 minute Min. No dielectric breakdown. 100V AC 1 分钟，無擊穿現象發生。
操作力 Operating Force	參照圖紙 See drawing
其它 Other	The switch shall be free from abnormalities in appearance. 開關的外觀應無明顯損壞。

ITEM	PART NAME	MATERIAL	COLOR
1	BUTTON	POM	RED
2	SILICA GEL	SILICA GEL	
3	COVER	PBT	BLACK
4	SPRING	SUS	
5	BASE	PA66	BLACK
6	TERMINAL	SILVER PLATE BRASS	



(Tolerance:  $\pm 0.1$ )  
(P.C.B thickness  $t=1.6$ )



Rating	6VDC 50mA
Contact Resistance	500mΩ Max
Insulation Resistance	50MΩ Min
Dielectric Voltage	250VAC 60±5S
Endurance	3,000,000 cycles
Operating Force	60±10gf
Pre-travel	0.30±0.2mm

MARK.	REV.	REVISION NOTE	DATE	APPROVED	UNIT	mm	TOLERANCE	SCALE	5:1	浙江長風電子有限公司 CHANGFENG ELECTRONICS CO., LTD.	
					DRAWN	乾永利	x. $\pm 0.5$	ANGLES	SHEET	1/1	TITLE
					CHECKED	乾永利	.x $\pm 0.3$	x.° $\pm 2^\circ$	REV.	A0	TACT SWITCH
					APPROVED	管晉	.xx $\pm 0.1$	.x° $\pm 1^\circ$	PROJ.	MODEL	TS02. 073R. S3061S