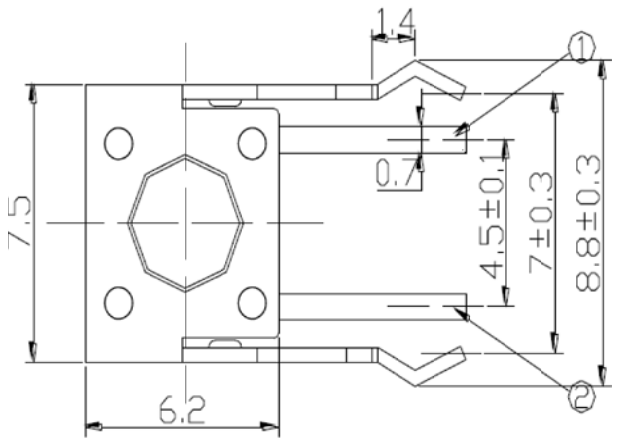
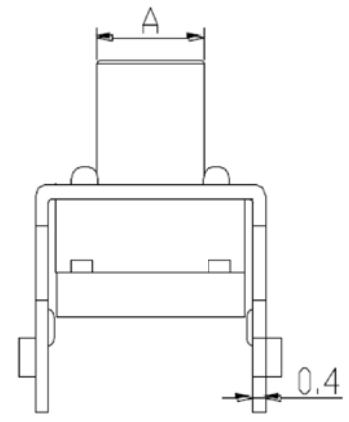
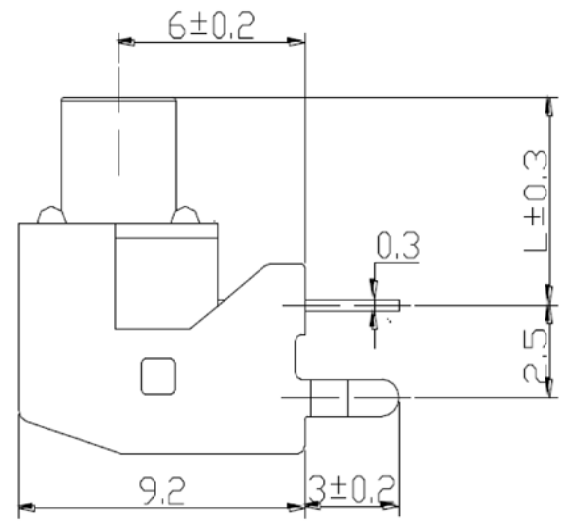
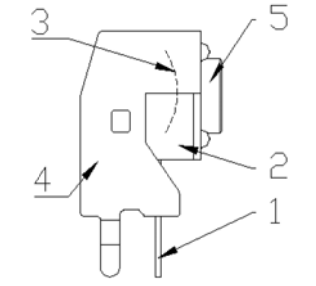


ITEM	PART NAME	MATERIAL	COLOR
1	引 脚	黄铜带H65Y 0.3mm 表面镀银	
2	基 座	PA66	BLACK
3	簧 片	单面覆银磷铜	
4	支 架	冷轧卷镀锡	
5	按 钮	PA66	BLACK

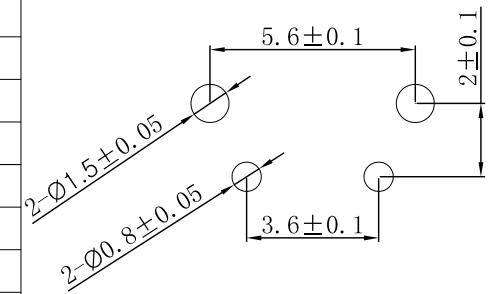


The length	Tolerance range
$L \leq 10$	± 0.3
$10 < L \leq 100$	± 0.5
$100 < L$	± 0.6

unit:mm



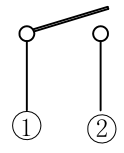
(Tolerance: ± 0.1)
(P.C.B thickness $t=1.6$)



料号编号	L高度	A 尺寸
31	3.15	∅3.5
33	3.35	∅3.5
38	3.85	∅3.5
43	4.35	∅3.5
44	4.45	∅3.5
48	4.85	∅3.5
53	5.35	∅3.4
58	5.85	∅3.4
63	6.35	∅3.4
66	6.65	∅3.3
68	6.85	∅3.3
73	7.35	∅3.3
78	7.85	∅3.2
83	8.35	∅3.1
88	8.85	∅3.1
93	9.35	∅3.1
98	9.85	∅3.0
03	10.35	∅3.0
08	10.85	∅3.0
13	11.35	∅3.0
18	11.85	∅3.0
23	12.35	∅3.0
28	12.85	∅3.0

操作力	回弹力	料号编号
100±50gf	10gf Min	10
160±50gf	50gf Min	16
260±70gf	50gf Min	26

SCHEMATIC



TS03.0**B.SOC**
L高度编号
开关操作力编号

MARK.	REV.	REVISION NOTE	DATE	APPROVED	UNIT	mm	TOLERANCE	SCALE	5:1	浙江長風电子有限公司 CHANGFENG ELECTRONICS CO., LTD.	
					DRAWN		x. ± 0.5	ANGLES	SHEET	1/1	TITLE
					CHECKED		.x ± 0.3	x.° $\pm 2^\circ$	REV.	A0	Tact Switch
							.xx ± 0.1	.x° $\pm 1^\circ$	PROJ.	MODEL	TS03.0**B.SOC**

產品名稱: Product Name	TACT SWITCH	產品型號: Part NO.	TS03.0**B.POC**	文件版本: Edition	A0
-----------------------	-------------	-------------------	-----------------	------------------	----

6. Precautions for use 注意事項:

6.1 為防止本產品的性能劣化和耐焊性等性能受到影響，請保管在以下的條件和環境下：

In order to protect the switch performance and the soldering conditions, it should keep the switch under the following conditions:

6.1.1. 溫度 -25℃ 以上，+70℃ 以下，濕度85% 以下的環境。

Temperature of -25℃ to +70℃, with humidity lower than 85%RH;

6.1.2. 避免保存在含有腐蝕性氣體等的空氣中。

Avoid storing in the environment containing corrosive gas;

6.1.3. 避免保存在日光能直射的場所。

Avoid keeping it in the location with direct sunlight.

6.1.4. 在不施加負重外力的包裝狀態下進行保管。

Store using the standard packing without exerting force.

6.2 產品未打開包裝的保存標準期限為6個月。打開包裝後有剩餘品時，應將剩餘部分以膠袋包裝好以同外界隔離，請進行合適的防濕，防腐蝕氣體等處理後進行保管，保存期限為3個月。

The standard storage period is 6 months before opening the package. Preferably to be used as soon as possible. After opening the package, you should put the remaining switches in a plastic bag to prevent from damp and corrosive gas with maximum up to 3 months.

若沒有特殊要求，試驗標準中的“電氣和機械性能無異常”是指要求滿足以下條件

Unless otherwise specified, The meaning of Electrically and mechanically performances shall be satisfied the following conditions in test standard:

接觸電阻 Contact Resistance	1Ω Max.
絕緣電阻 Insulation Resistance	50MΩ Min.
耐壓測試 Dielectric Withstand Voltage	100V AC for 1 minute Min. No dielectric breakdown. 100V AC 1 分钟, 无击穿现象发生。
操作力 Operating Force	參照圖紙 See drawing
其它 Other	The switch shall be free from abnormalities in appearance. 開關的外觀應無明顯損壞。