

承 認 書

Specification for Approval

Edition	A0
No.	

客戶 Customer:			
客戶料號 Customer Part NO.:			
產品名稱 Product Name.:	TACT SWITCH		
產品型號 Part NO.:	TS01.◆◆◆B.P0A◇◇		
客戶簽署 Customer Sign:	長風簽署 Supplier Sign		
	製作 Prepared by	審覈 Checked by	批准 Approved by
客戶蓋章 Customer Seal	長風蓋章 Supplier Seal		
承認日期 Accept Date:	製作日期 Prepare Date:		

地址：浙江省樂清市虹橋鎮幸福東路 580 號

Add: NO.580, Xingfu East Road, Hongqiao, Yueqing, Zhejiang, China.

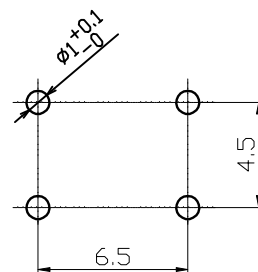
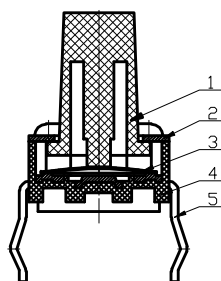
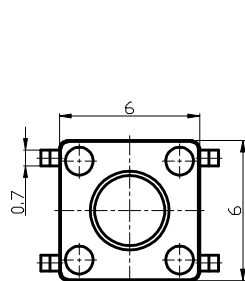
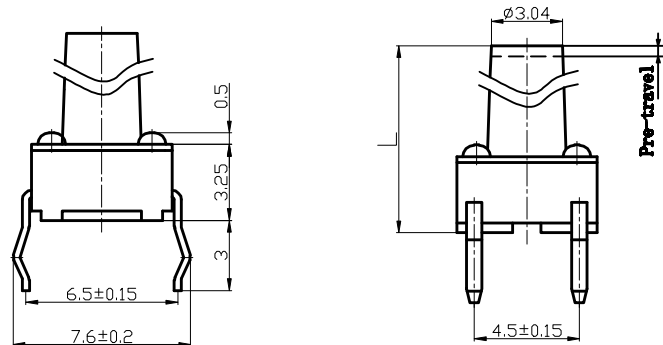
Http://www.cfswitch.com

E-mail:manager@cfswitch.com

郵編//ZIP: 325608

Tel: 0577--62351939 62361939

Fax: 0577--62355959



PCB Layout Recommended

序號	名稱	材質	顏色
1	按鈕	PC	黑
2	蓋板	H65	
3	彈片	C5210	
4	基座	PA6T	黑
5	端子	H65	

高度L對照表:

◆◆◆	L高度范围
043	4.3±0.2mm
050	5.0±0.2mm
055	5.5±0.2mm
060	6.0±0.2mm
065	6.5±0.2mm
070	7.0±0.2mm
075	7.5±0.2mm
080	8.0±0.2mm
085	8.5±0.2mm
090	9.0±0.2mm
095	9.5±0.2mm
110	11±0.2mm
120	12±0.2mm
130	13±0.2mm

克力對照表:

◇◇	克力范围
11	11±30gf
15	150±40gf
20	200±50gf
25	250±50gf

Rating	12VDC 100mA
Contact Resistance	100mΩ Max
Insulation Resistance	50MΩ Min
Dielectric Voltage	250VAC 60±5S
Endurance	100,000 cycles
Pre-travel	0.30±0.2mm

MARK.	REV.	REVISION NOTE	DATE	UNIT	mm	TOLERANCE	SCALE	5:1	 浙江長風電子有限公司 Zhejiang Changfeng Electronics Co., Ltd.	TITLE	TACT SWITCH	
				DRAWN		x. ±0.5	ANGLES	SHEET		1/1		
				CHECKED		.x ±0.3	x.° ±2°	REV.		A0		
				APPROVED		.xx ±0.1	.x° ±1°	PROJ.			MODEL	TS01. ◆◆◆B. P0A◇◇

產品名稱: Product Name	TACT SWITCH	產品型號: Part NO.	TS01.◆◆◆B.P0A◇◇	文件版本: Edition	A0
-----------------------	-------------	-------------------	-----------------	------------------	----

6.Precautions for use 注意事項:

6.1 為防止本產品的性能劣化和耐焊性等性能受到影響，請保管在以下的條件和環境下：

In order to protect the switch performance and the soldering conditions, it should keep the switch under the following conditions:

6.1.1. 溫度 -25℃ 以上，+70℃ 以下，濕度85% 以下的環境。

Temperature of -25℃ to +70℃, with humidity lower than 85%RH;

6.1.2. 避免保存在含有腐蝕性氣體等的空氣中。

Avoid storing in the environment containing corrosive gas;

6.1.3. 避免保存在日光能直射的場所。

Avoid keeping it in the location with direct sunlight.

6.1.4. 在不施加負重外力的包裝狀態下進行保管。

Store using the standard packing without exerting force.

6.2 產品未打開包裝的保存標準期限為6個月。打開包裝後有剩余品時，應將剩余部分以膠袋包裝好以同外界隔離，請進行合適的防濕，防腐蝕氣體等處理後進行保管，保存期限為3個月。

The standard storage period is 6 months before opening the package. Preferably to be used as soon as possible. After opening the package, you should put the remaining switches in a plastic bag to prevent from damp and corrosive gas with maximum up to 3 months.

若沒有特殊要求，試驗標準中的“外觀、結構無損傷，功能無異常。”是指要求滿足以下條件

Unless otherwise specified, The meaning of Appearance, construction and function shall be satisfied the following conditions in test standard:

接觸電阻 Contact Resistance	500mΩ Max.
絕緣電阻 Insulation Resistance	50MΩ Min.
耐壓測試 Dielectric Withstand Voltage	100V AC for 1 minute Min. No dielectric breakdown. 100V AC 1 分钟, 无击穿现象发生。
操作力 Operating Force	參照圖紙 See drawing
其它 Other	The switch shall be free from abnormalities in appearance. 開關的外觀應無明顯損壞。