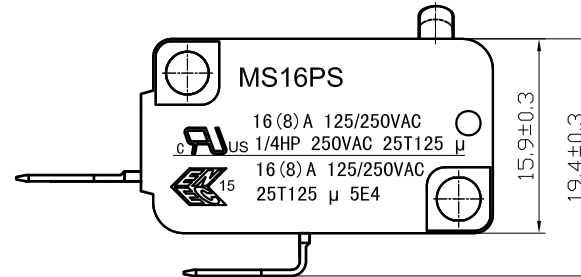
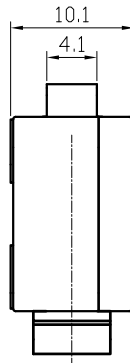
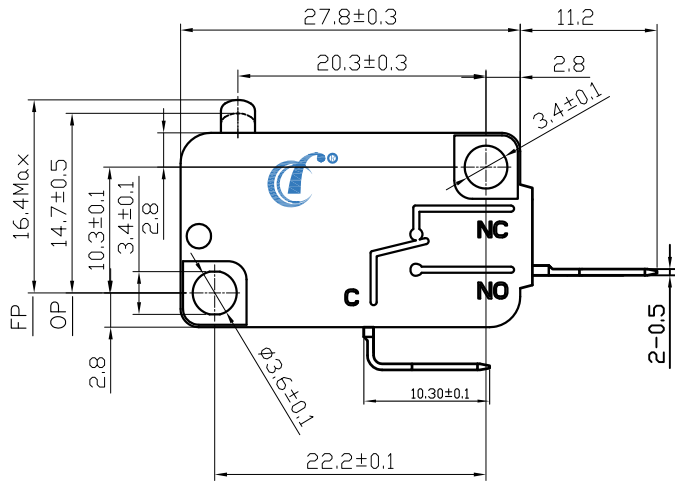


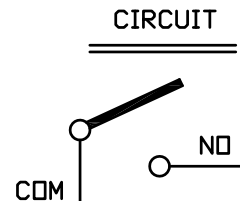
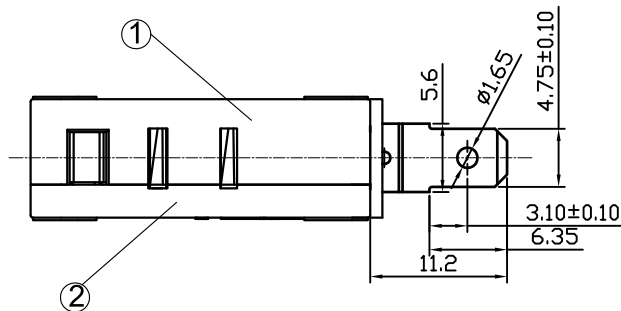
ITEM	DESCRIPTION	MATERIAL
01	COVER	PBT
02	BASE	PBT
03	BUTTON	PBT
04	TERMINAL	SILVER PLATE COPPER ALLOY
05	TERMINAL	SILVER PLATE COPPER ALLOY
06	CONTACT	Ag ALLOY/Cu
07	SPRING	SILVER PLATE COPPER ALLOY
08	MOVE PLATE	SILVER PLATE COPPER ALLOY
09	MOVE SHAFT	SILVER PLATE COPPER ALLOY



1.ELECTRICAL RATINGS

16(8)A 125/250VAC 25T125
1/4HP 250VAC (UL61058);

16(8)A 125/250VAC 25T125 5E4
(IEC61058).



2.CHARACTERISTICS

Operating Force	160±40 gf
Release Force	15 gf min
Pretravel	2.7 mm max.
Overtravel	0.9mm min
Movement Differential	0.4mm max.
Operating Posttion	14.7±0.5mm

UNIT	mm	TOLERANCE	SCALE	1:1	 浙江長風電子有限公司 Zhejiang Changfeng Electronics Co.,Ltd.	TITLE	MICRO SWITCH	
DRAWN		x. ±0.5	ANGLES	SHEET				1/1
CHECKED		.x ±0.3	x.° ±2°	REV.	AO	MODEL	MS16DPS.0T16.C3	
MARK.	REV.	REVISION NOTE	DATE	APPROVED	.xx ±0.1	.x° ±1°	PROJ.	

產品名稱: Product Name	MICRO SWITCH	產品型號: Part NO.	MS16DPS. 0T16. C3	文件版本: Edition	A0
-----------------------	--------------	-------------------	-------------------	------------------	----

<p>1. General Characteristics 一般特性:</p> <p>1.1 Application: This specification is applied to the micro switch (MS16DPS.0H16.C5) for general applications. 适用范围: 该承认书指微动开关 (MS16DPS.0H16.C5) 的一般使用范围。</p> <p>1.2 Operating Temperature Range: -25°C to +125°C 使用温度范围: -25°C to +125°C</p> <p>1.3 Operating Relative Humidity: ≤85%RH 相对湿度: ≤85%RH</p> <p>1.4 Test Conditions: Unless otherwise specified, the atmospheric conditions for making measurements and tests are as follows: 实验条件: 若没有特别说明, 则试验大气条件如下:</p> <p>Ambient Temperature: 5~35°C 环境温度: 5~35°C</p> <p>Relative Humidity: 45~85% 相对湿度: 45~85%</p> <p>Air Pressure: 86~106Kpa (860~1060mbar) 大气压力: 86~106Kpa (860~1060mbar)</p>			
<p>2. Appearance, Structure and Dimensions 外观, 结构及尺寸:</p> <p>2.1 Appearance: The switch shall have good finishing, and no rust, crack or plating defects. 外观: 产品外观良好, 无锈蚀、裂纹和镀层缺陷。</p> <p>2.2 Structure & Dimensions: Refer to individual product drawing. 结构及尺寸: 参见产品图纸</p> <p>2.3 Markings: Refer to individual product drawing. 标识: 参见产品图纸。</p>			
3. Ratings 额定负荷		<p>16(8)A 125V/250VAC (ENEC) 5E4 16(8)A 125/250VAC (UL) 1/4HP 125VAC (UL)</p>	
4. Electrical Characteristics 电气特性			
No.	Item 项目	Criteria 标准	Test Method 实验方法
4.1	Contact Resistance 接触电阻	500mΩ Max.	Measured by a voltage drop method at 1A Max, 5VDC. Any equipment with error not more than 5% can be used. Resistance after test is the average of 5 successive measurements. (To measure after operated 5 to 10 times) 以 1A, 5V 直流电, 采用电压降法测量。也可用误差不超过 5% 的仪表进行测量, 实验后的电阻取 5 次测量的平均值。(按动 5-10 次后测量)
4.2	Insulation Resistance 绝缘电阻	100MΩ Min.	500VDC voltage is applied between each pair of terminals and between the terminal and the metal frame for 60±5S. 在相互绝缘的所有端子之间及各接线端子与外露的非载流金属零件之间加载 500V 直流电, 持续时间 60±5S。
4.3	Dielectric Voltage 抗电强度	No dielectric breakdown shall occur. 无击穿现象发生。	1000VAC (50~60Hz, cut-off current 2mA) is applied between non-connected terminals and between terminals and the metal frame for 60 ±5s. 在相互绝缘的所有接线端子之间 1000V (50-60Hz) 交流电, 各接线端子与外壳或非载流金属零件之间加载 1000V (50-60Hz) 交流电, 持续时间 60±5S。