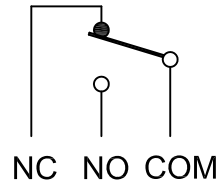
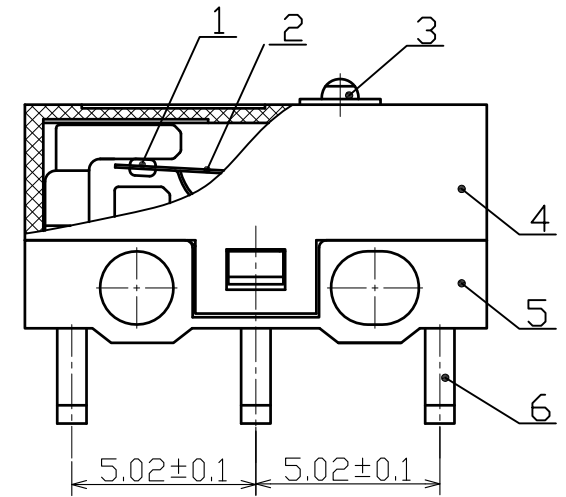
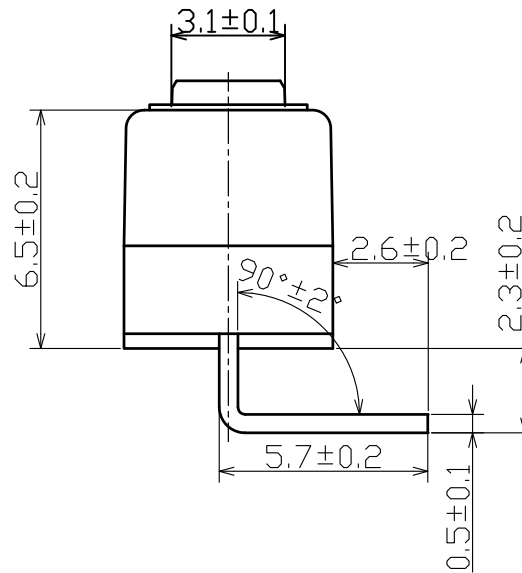
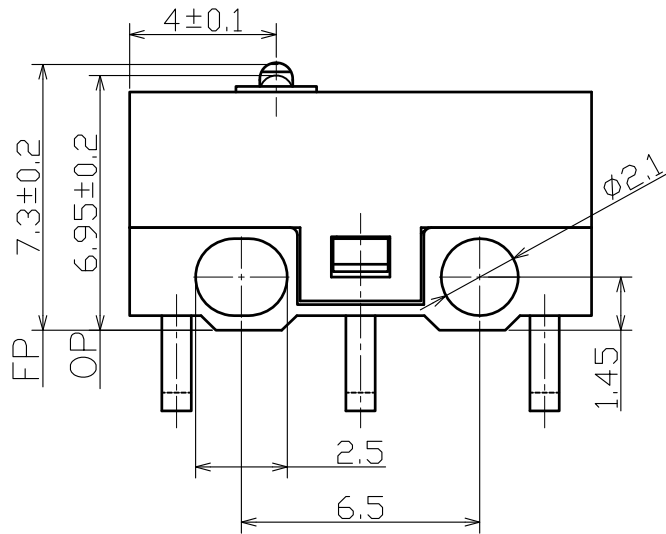
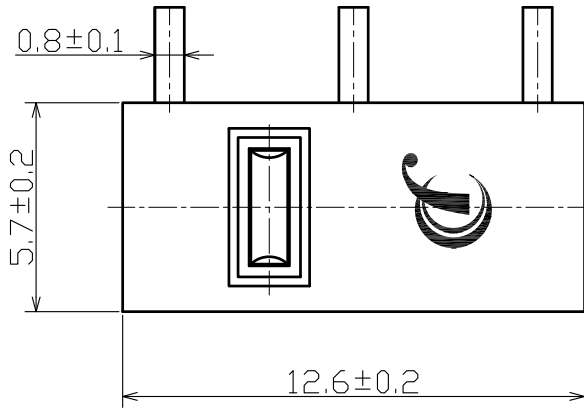


SCHEMATIC



| ITEM | PART NAME | MATERIAL | COLOR |
|------|---------------|--------------------|-------|
| 1 | CONTACT | Ag Alloy | |
| 2 | MOVABLE PLATE | TITANIUM COPPER | |
| 3 | BUTTON | POM | WHITE |
| 4 | COVER | PBT | BLACK |
| 5 | BASE | PPA | WHITE |
| 6 | TERMINAL | SILVER PLATE BRASS | |



| | |
|-----------------------|------------------|
| Rating | 5VDC 100mA |
| Contact Resistance | 100mΩ Max |
| Insulation Resistance | 50MΩ Min |
| Dielectric Voltage | 250VAC 60±5S |
| Endurance | 3,000,000 cycles |
| Operating Force | 70±10gf |
| Pre-travel | 0.35±0.15mm |

| MARK. | REV. | REVISION NOTE | DATE | APPROVED | UNIT | mm | TOLERANCE | SCALE | 5:1 | 浙江長風電子有限公司 CHANGFENG ELECTRONICS CO., LTD. | |
|-------|------|---------------|------|----------|---------|----|------------------|-------|-----|---|-------------------|
| | | | | | DRAWN | | x. ±0.5 ANGLES | SHEET | 1/1 | TITLE | 微动开关 |
| | | | | | CHECKED | | .x ±0.3 x.° ±2° | REV. | A1 | MODEL | MS10. 257W. P3B71 |
| | | | | | | | .xx ±0.1 .x° ±1° | PROJ. | | | |

| | | | | | |
|-----------------------|--------------|-------------------|-----------------|------------------|----|
| 產品名稱: Product Name | MICRO SWITCH | 產品型號: Part NO. | MS10.257W.P3B71 | 文件版本: Edition | A0 |
|-----------------------|--------------|-------------------|-----------------|------------------|----|

6.Precautions for use 注意事項:

6.1 為防止本產品的性能劣化和耐焊性等性能受到影響，請保管在以下的條件和環境下：

In order to protect the switch performance and the soldering conditions, it should keep the switch under the following conditions:

6.1.1. 溫度 -25℃ 以上，+70℃ 以下，濕度85% 以下的環境。

Temperature of -25℃ to +70℃, with humidity lower than 85%RH;

6.1.2. 避免保存在含有腐蝕性氣體等的空氣中。

Avoid storing in the environment containing corrosive gas;

6.1.3. 避免保存在日光能直射的場所。

Avoid keeping it in the location with direct sunlight.

6.1.4. 在不施加負重外力的包裝狀態下進行保管。

Store using the standard packing without exerting force.

6.2 產品未打開包裝的保存標準期限為6個月。打開包裝後有剩余品時，應將剩余部分以膠袋包裝好以同外界隔離，請進行合適的防濕，防腐蝕氣體等處理後進行保管，保存期限為3個月。

The standard storage period is 6 months before opening the package. Preferably to be used as soon as possible. After opening the package, you should put the remaining switches in a plastic bag to prevent from damp and corrosive gas with maximum up to 3 months.

若沒有特殊要求，試驗標準中的“外觀、結構無損傷，功能無異常”是指要求滿足以下條件

Unless otherwise specified, The meaning of Appearance, construction and function shall be satisfied the following conditions in test standard:

| | |
|--------------------------------------|--|
| 接觸電阻 Contact Resistance | 500mΩ Max. |
| 絕緣電阻 Insulation Resistance | 50MΩ Min. |
| 耐壓測試 Dielectric Withstand Voltage | 100V AC for 1 minute Min. No dielectric breakdown. 100V AC 1 分钟, 无击穿现象发生。 |
| 操作力 Operating Force | 70±10gf |
| 其它 Other | The switch shall be free from abnormalities in appearance. 開關的外觀應無明顯損壞。 |