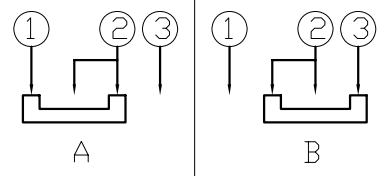
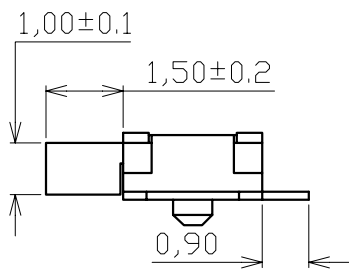
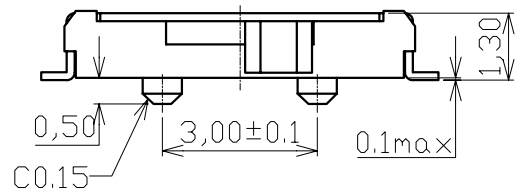


SCHEMATIC



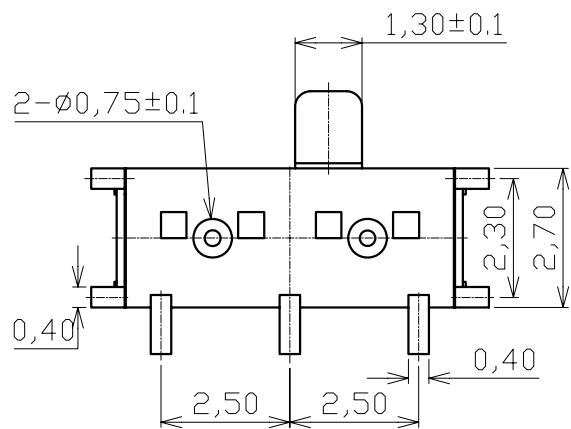
1. Material list

ITEM	DESCRIPTION	MATERIAL
1	Terminal	C5191
2	Anchor	SUS
3	Base	LCP(BLACK)
4	Spring	C5191
5	Cover	C5191
6	pushing handle	PA46(Black)

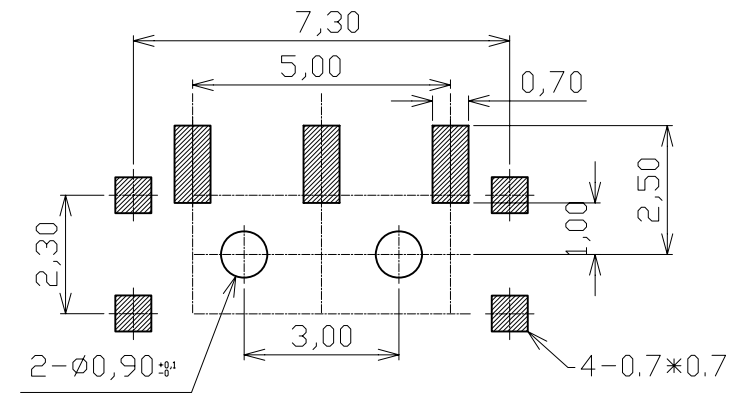
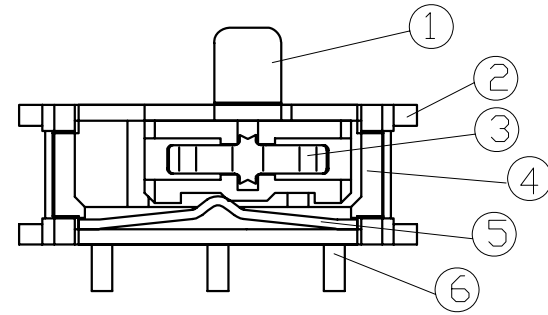


2. CHARACTERISTICS

Operating Force	150±100gf
Pre travel	1.5±0.15mm
Resistance	100mΩmax
Life	10,000cycles
Rating	5V DC 0.1A(MAX)
Flatness	0.1max
Piece weight	0.078g



without cover



MARK.	REV.	REVISION NOTE	DATE	APPROVED	UNIT	mm	TOLERANCE	SCALE	3:1	浙江長風電子有限公司 CHANGFENG ELECTRONICS CO., LTD.	
					DRAWN		x. ±0.5 ANGLES	SHEET	1/1	TITLE	SLIDE SWITCH
					CHECKED		.x ±0.3 x.° ±2°	REV.	A1	MODEL	S12.67M.BB150.01
							.xx ±0.1 .x° ±1°	PROJ.	⊕		

產品名稱: Product Name	SLIDE SWITCH	產品型號: Part NO.	S12.67M.BB150.01	文件版本: Edition	A0
-----------------------	--------------	-------------------	------------------	------------------	----

<p><b>1. General Characteristics 一般特性:</b></p> <p>1.1 Application: This specification is applied to the slide switch for general applications. 适用范围: 该承认书指拨动开关的一般使用范围。</p> <p>1.2 Operating Temperature Range: -20°C to 70°C 使用温度范围: -20°C to 70°C</p> <p>1.3 Operating Relative Humidity: ≤85%RH 相对湿度: ≤85%RH</p> <p>1.4 Test Conditions: Unless otherwise specified, the atmospheric conditions for making measurements and tests are as follows: 实验条件: 若没有特别说明, 则试验大气条件如下:</p> <p>Ambient Temperature: 5~35°C 环境温度: 5~35°C</p> <p>Relative Humidity: 45~85% 相对湿度: 45~85%</p> <p>Air Pressure: 86~106Kpa (860~1060mbar) 大气压力: 86~106Kpa (860~1060mbar)</p>					
<p><b>2. Appearance, Structure and Dimensions 外观, 结构及尺寸:</b></p> <p>2.1 Appearance: The switch shall have good finishing, and no rusts, cracks or plating defects. 外观: 产品外观良好, 无锈蚀、裂纹和镀层缺陷。</p> <p>2.2 Structure &amp; Dimensions: Refer to individual product drawing. 结构及尺寸: 参见产品图纸</p> <p>2.3 Markings: Refer to individual product drawing. 标识: 参见产品图纸。</p>					
<b>3. Ratings 额定负荷</b>			5V DC 0.1A(MAX) 50 μ A (MIN)		
<b>4. Initial electrical Characteristics 初始的电气性能</b>					
No.	Item 项目	Criteria 标准	Test Method 实验方法		
4.1	Contact Resistance 接触电阻	100mΩ Max.	Measured by a voltage drop method at 1A Max, 5VDC. Any equipment with error not more than 5% can be used. Resistance after test is the average of 5 successive measurements. 以 1A, 5V 直流电, 采用电压降法测量。也可用误差不超过 5% 的仪表进行测量, 实验后的电阻取 5 次测量的平均值。		
4.2	Insulation Resistance 绝缘电阻	100MΩ Min.	250VDC voltage is applied between each pair of terminals and between the terminal and the metal frame for 60±5S. 在相互绝缘的所有端子之间及各接线端子与外露的非载流金属零件之间加载 250V 直流电, 持续时间 60±5S。		
4.3	Dielectric Voltage 抗电强度	No dielectric breakdown shall occur. 无击穿现象发生。	100VAC (50~60Hz, cut-off current 2mA) is applied between non-connected terminals and between terminals and the metal frame for 60 ±5s. 在相互绝缘的所有接线端子之间 100V (50-60Hz) 交流电, 各接线端子与外 第 壳或非载流金属零件之间加载 100V (50-60Hz) 交流电, 持续时间 60±5S。		