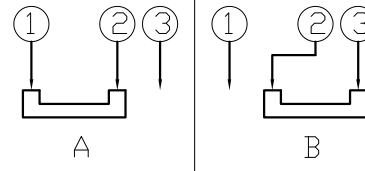
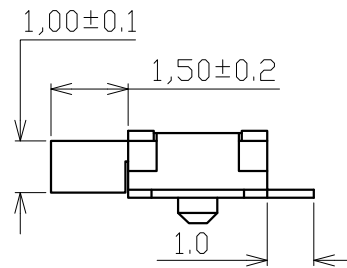
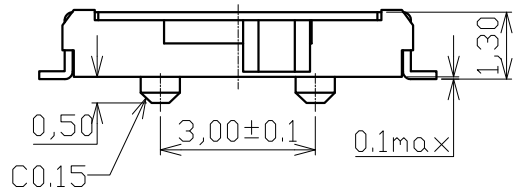


SCHEMATIC



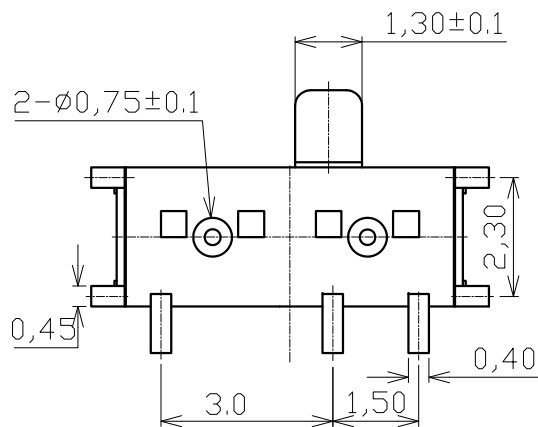
1. Material list

ITEM	DESCRIPTION	MATERIAL
1	Terminal	C5191
2	Anchor	SUS
3	Base	LCP(BLACK)
4	Spring	C17200
5	Cover	C5191
6	pushing handle	PA6T(White)

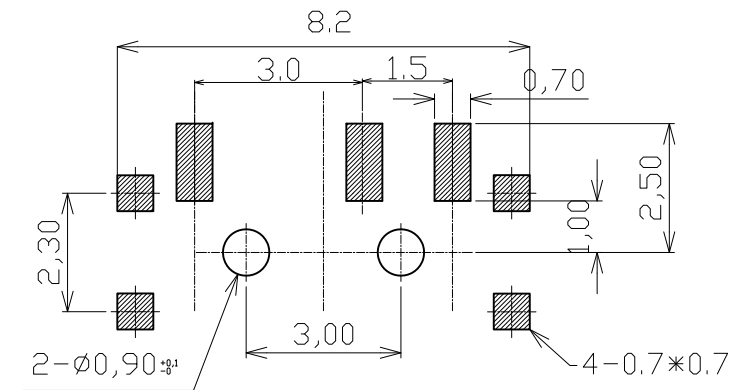
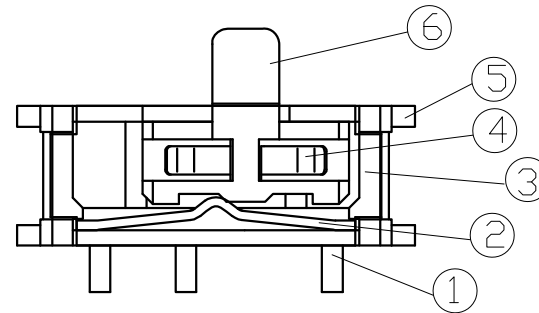


2. CHARACTERISTICS

Operating Force	130±50gf
Pre travel	1.6±0.1mm
Resistance	500mΩmax
Life	10,000cycles
Rating	6V DC 0.3A(MAX)
Flatness	0.1max



without cover



MARK.	REV.	REVISION NOTE	DATE	APPROVED	UNIT	mm	TOLERANCE	SCALE	3:1	浙江長風電子有限公司 CHANGFENG ELECTRONICS CO., LTD.	
					DRAWN		x. ±0.5 ANGLES	SHEET	1/1	TITLE	SLIDE SWITCH
					CHECKED		.x ±0.3 x.° ±2°	REV.	A1	MODEL	S12. 67M. AB130. 01
							.xx ±0.1 .x° ±1°	PROJ.	⊕		

產品名稱: Product Name	SLIDE SWITCH	產品型號: Part NO.	S12.67M.AB130.01	文件版本: Edition	A0
-----------------------	--------------	-------------------	------------------	------------------	----

**6. Precautions for use 注意事项:**

6.1 為防止本產品的性能劣化和耐焊性等性能受到影響，請保管在以下的條件和環境下：

In order to protect the switch performance and the soldering conditions, it should keep the switch under the following conditions:

6.1.1. 溫度 -20℃ 以上，+80℃ 以下，濕度85% 以下的環境。

Temperature of -20℃ to +80℃, with humidity lower than 85%RH;

6.1.2. 避免保存在含有腐蝕性氣體等的空氣中。

Avoid storing in the environment containing corrosive gas;

6.1.3. 避免保存在日光能直射的場所。

Avoid keeping it in the location with direct sunlight.

6.1.4. 在不施加負重外力的包裝狀態下進行保管。

Store using the standard packing without exerting force.

6.2 產品未打開包裝的保存標準期限為6個月。打開包裝後有剩余品時，應將剩余部分以膠袋包裝好以同外界隔離，請進行合適的防濕，防腐蝕氣體等處理後進行保管，保存期限為3個月。

The standard storage period is 6 months before opening the package. Preferably to be used as soon as possible. After opening the package, you should put the remaining switches in a plastic bag to prevent from damp and corrosive gas with maximum up to 3 months.

Unless otherwise specified, The meaning of Electrically and mechanically performances shall be satisfied the following conditions in test standard:

若没有特殊要求，试验标准中的“电气和机械性能无异常”是指要求满足以下条件：

Contact Resistance 接触电阻	500mΩ Max.
Insulation Resistance 绝缘电阻	100MΩ Min.
Dielectric Voltage 抗电强度	100V AC for 1 minute Min. No dielectric breakdown. 100V AC 1 分钟，无击穿现象发生。
Operating Force 操作力	130±50gf
Other 其它	The switch shall be free from abnormalities in appearance. 开关的外观应无明显损坏。