

產品名稱: Product Name	SLIDE SWITCH	產品型號: Part NO.	S12.127M.BB200	文件版本: Edition	A0
-----------------------	--------------	-------------------	----------------	------------------	----

1. General Characteristics 一般特性:

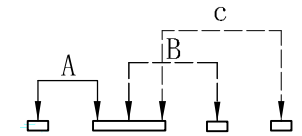
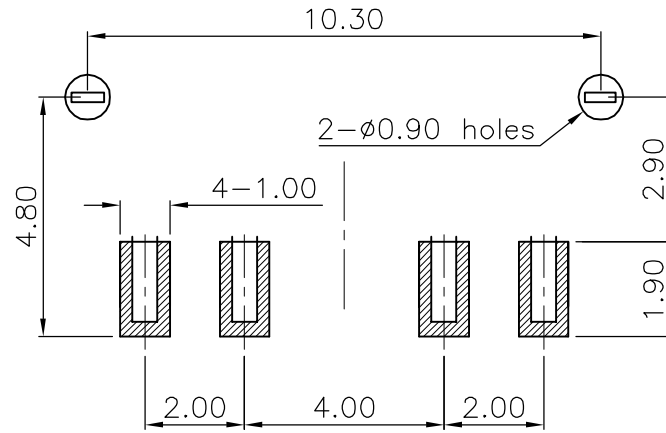
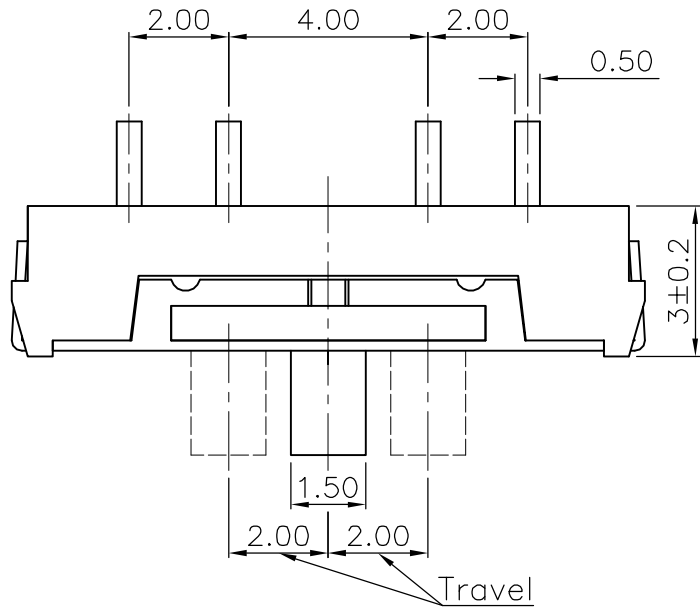
- 1.1 額定值: 6V DC 0.3A
Rating Value: 6V DC 0.3A
- 1.2 工作溫度: -25°C ~ 70°C
Work Temperature Range: -25°C ~ 70°C
- 1.3 存貯溫度: -25°C ~ 70°C
Store Temperature Range: -25°C ~ 70°C
- 1.4 正常測試條件 (未有特殊說明量測在以下條件進行):
General test condition (Test and measurements shall be made under the following standard conditions unless otherwise specified):
 正常溫度: 5°C ~ 40°C 相對濕度: ≤85%(40°C) 氣 壓: 102kpa ~ 103kpa
 Temperature: 5°C ~ 40°C Relative humidity: ≤85%(40°C) Air pressure: 102kpa ~ 103kpa

2. Appearance, Structure and Dimensions 外觀, 結構及尺寸:

- 2.1 Appearance: The switch shall have qualified, and no rusts, cracks or plating defects.
外觀: 產品外觀合格, 無銹蝕、裂紋和鍍層缺陷。
- 2.2 Structure & Dimensions: Refer to individual product drawing.
結構及尺寸: 參見產品圖紙。
- 2.3 Markings: Refer to individual product drawing.
標識: 參見產品圖紙。

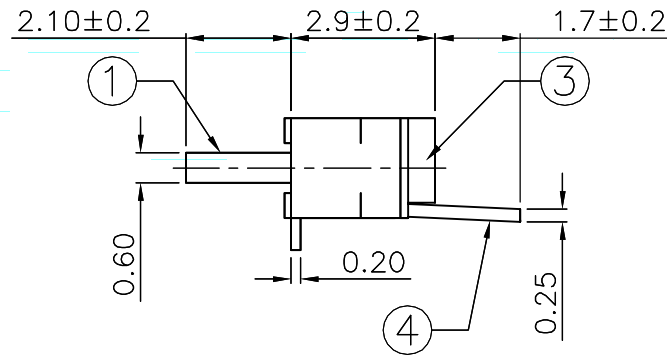
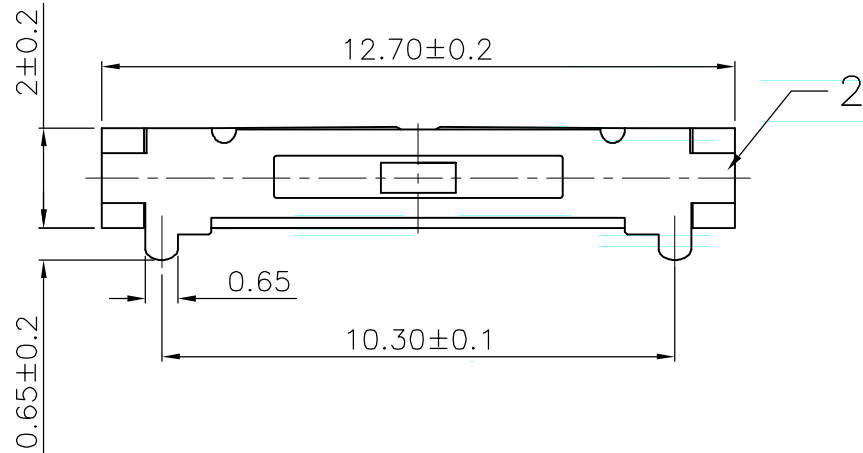
3. Electrical Characteristics 電氣性能

No.	項目 Item	實驗方法 Test Method	測試設備 Equipment	特殊要求 Requirements
3.1	接觸電阻 Contact Resistance	Any equipment with error not more than 5% can be used. Resistance after test is the average of 5 successive measurements. 用誤差不超過 5% 的儀錶進行測試, 實驗后的電阻取 5 次測量的平均值。	低電阻測試儀 Low Resistance Tester	100mΩ Max.
3.2	絕緣阻抗 Insulation Resistance	250VDC voltage is applied between each pair of terminals and between the terminal and the metal frame for 60±5S. 在相互絕緣的所有端子之間及各接線端子與外露的非載流金屬零件之間加載 250V 直流電, 持續時間 60±5S。	絕緣測試機 Insulation Resistance Tester	100MΩ Min.
3.3	耐壓測試 Dielectric Withstand Voltage	250VAC (50~60Hz, cut-off current 2mA) is applied between non-connected terminals and between terminals and the metal frame for 60 ±5s. 在相互絕緣的所有接線端子之間 250V (50-60Hz) 交流電, 各接線端子與外殼或非載流金屬零件之間加載 250V (50-60Hz) 交流電, 持續時間 60±5S。	耐壓測試機 Puncture Tester	無電弧、擊穿現象發生。 No arcing, break-down shall occur.



PCB Layout (Pattern side)

Circuit Diagram



Note:
Operating force: 200±50gf

⑤	Contact Spring	—	1	Beryllium copper	Ag Plated	—
④	Terminal	—	4	Brass Strip	Ag Plated	—
③	Base	—	1	LCP	Black	—
②	Cover	—	1	SUS	Natural	—
①	KNOB	—	1	NYLON	White	—
ITEM	PART NAME	TER'NO.	QTY.	MATERIAL	FINISHING	REMARK

			UNIT	mm	TOLERANCE	SCALE	3:1	浙江長風電子有限公司 CHANGFENG ELECTRONICS CO., LTD.		
			DRAWN		x. ±0.5 ANGLES	SHEET	1/1			
			CHECKED		.x ±0.3 x.° ±2°	REV.	A0	TITLE	SLIDE SWITCH	
MARK.	REV.	REVISION NOTE	DATE	APPROVED	.xx ±0.1 .x° ±1°	PROJ.		MODEL	S12. 127M. BB200	